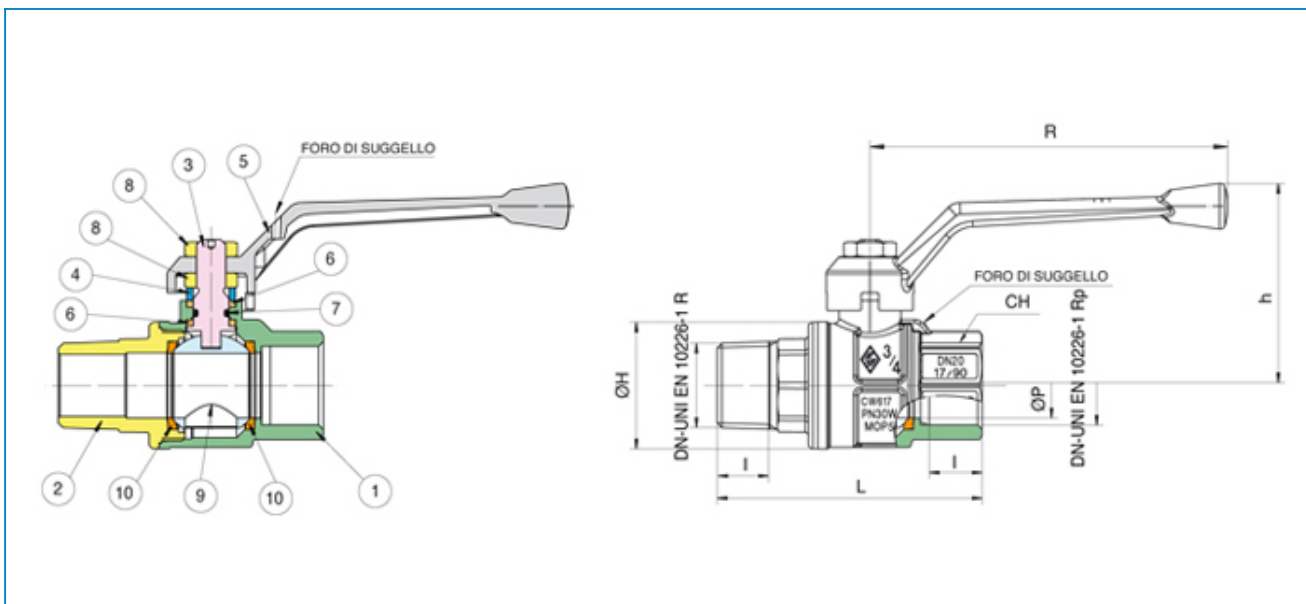


Serie **BUBBLE-SFER**

Articolo **2001**

Water full bore ball valve, m/f threads, aluminium lever handle and ball with automatic rinse system.



POS.	PART NAME	MATERIALE-MATERIALS MATERIAUX-WERKSTOFF- MATERIAL	N°P
1	BODY	OTTONE CW617N UNI EN12165	1
2	END CONNECTION	OTTONE CW617N UNI EN12165	1
3	STEM	OTTONE CW614N UNI EN12164	1
4	PACKING GLAND	OTTONE CW614N UNI EN12164	1
5	HANDLE	ALLUMINIO EN-AC 46100	1
6	STEM SEAL/THRUST WASHER	P.T.F.E.	2
7	O-RING	EPDM	1
8	NUT	ACCISIO STEEL CL 04	2
9	BALL	OTTONE CW617N UNI EN12165	1
10	BALL SEAT	P.T.F.E.	2

MISURA SIZE	DN	BOX	MASTER BOX	CODICE CODE	ØP	I	Ch	ØH	L	h	R	Kv	PN	Kg
1/2"	15	35	70	2001040000	15	15	25	33	72,5	50	95	16,3	30	0,21
3/4"	20	25	50	2001050000	20	16,3	31	39	81,5	62	110	29,5	30	0,38
1"	25	15	30	2001060000	25	19,1	38	49	94,5	66	110	43	30	0,56
1"1/4	32	10	20	2001070000	32	21,4	48	59	111	80	160	89	25	0,98
1"1/2	40	6	12	2001080000	40	21,4	54	73	119	86	160	230	25	1,41
2"	50	4	8	2001100000	50	25,7	67	87	141	104	170	265	25	2,41